

Applications

- Warehouses
- Manufacturing facilities
- Retail stores
- Gymnasiums
- Cafeterias
- Auditoriums



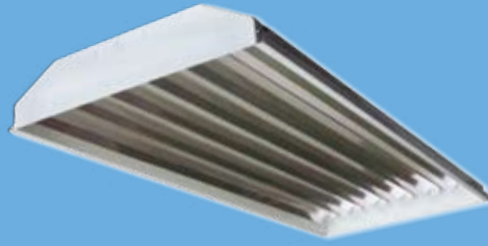
EARTH FRIENDLY
PRODUCT

Howard's best-in-class High Bay Fluorescent Fixtures

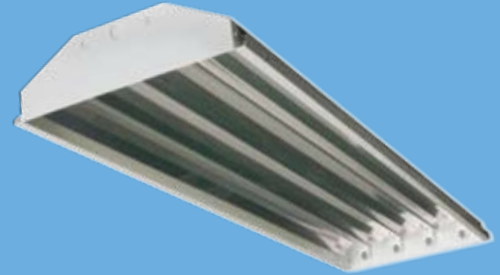
Howard High Bay fluorescent fixtures are an energy-saving alternative to High-Intensity Discharge (HID) systems, providing excellent light output while drastically cutting energy costs. Howard offers 5 convenient designs to make choosing the perfect lighting solution simple and easy. High Bay fixtures are available in 4 or 6-lamp applications, white or MIRO-4 reflector versions, T8 or T5 ballast/lamp solutions, and additional factory-installed options. Each High Bay Fluorescent system is tested, designed, approved and manufactured by Howard Lighting Products in Mendenhall, Mississippi.



VHA1



HFA1



HFA2



EARTH FRIENDLY
PRODUCT

Lighting for Life



HFA3



HFA4

We make ordering easy!

1

Order Direct
Contact the authorized representative that you have purchased from in the past.

2

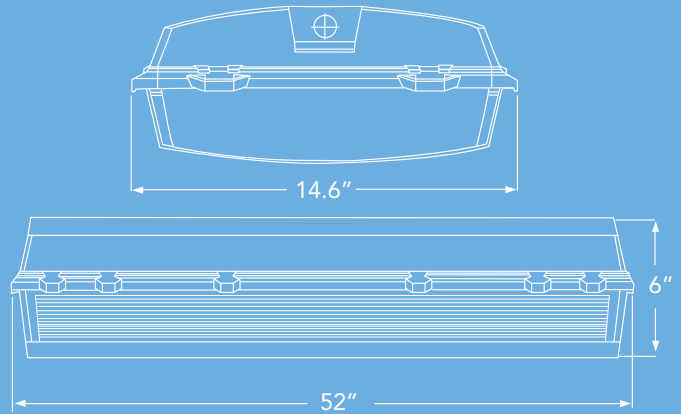
Order by phone
You can also contact us at 800.956.3456 to discuss your needs or place an order.

3

Order by fax
Or if you prefer, you can reach us by fax at 601.422.1652.

Experience the Howard Advantage

4 VHA1 Series



Model Family	Reflector/ Lens	No. of Lamps	Lamp Type/ Wattage ⁽¹⁾	Ballast	Input Volts	Factory Installed Options
VHA1	A	6	32A	HI	MV	00B
VHA1	A: Impact resistant acrylic P: UV stabilized polycarb	4 6	32A: F32T8 54A: F54T5	HI: High BF electronic instant start (T8 only) LI: Low BF electronic instant start (T8 only) SI: Standard or electronic instant start (T8 only) PS: Programmed rapid start	02: 120V 08: 277V MV: 120-277V Universal HV: 347-480V Universal (T5HO only)	B: Emergency ballast (specify lumen requirement) E: MIRO-4 reflector W: Wire cable hanging kit

Sample Ordering Number: VHA1 A 6 32A SI MV 00B 010 I
 VHA1 Series Fluorescent Vaporproof Strip
 Impact Resistance Acrylic Lens
 Standard V-Hook
 6 Lamp 32W T8 Multi-Volt Standard Ballast Factor Electronic Ballast
 Emergency Ballast
 Individual Box Packaging

continued on next page

(1) Lamp installation available. Call for details

* Specifications subject to change w/out notice.



Features

- One piece upper body; no seams to crack, break, or leak
- Reinforced fiberglass body is rugged corrosion resistant
- 5VA Flammability Rating (Housing only)
- Stainless steel hardware for maximum durability
- Twelve latches for positive lens retention
- White polyethylene molded end plugs for use as knock outs
- High gloss, baked enamel reflective front
- Closed cell polyester gasket
- Poured gasket seamlessly fills channel for maximum seal
- High gasket compression recovery ensures a solid seal over life of fixture
- Injection molded diffuser for maximum strength and precise detail
- Frosted ends and lineal prisms on sides reduce glare
- Continuous formed perimeter provides for positive seal
- 100% Virgin Impact Resistant Acrylic diffuser option
 - Long lasting clarity and resistance to weathering
- UV Stabilized Polycarbonate diffuser option
 - Maximum impact resistance
- Shipped fully wired with Howard ballast
- Easy access to wiring compartment and ballast via removable gear tray
- Gear tray is tethered to housing by two lanyards for extra safety

Description

VHA1 series vaporproof highbay is engineered for performance down to the smallest detail. It is fully gasketed to provide total protection from dust and moisture penetration. It withstands corrosion, splashing water, hose-directed water, damage from external ice formation, and temporary submersion. This rugged fixture operates four or six lamps and, as a standard feature, comes with a Howard ballast.

Benefits Include

- High corrosion resistance
- Reduces fixture count
- Low dirt depreciation
- Easy maintenance
- Resists abuse
- Durable construction
- Long service life
- Made in USA

Cordset Options	TBA	Packaging
01	0	I
00: No cord 01: 6' SJT 18/3; no plug 02: 10' SJT 18/3; no plug 03: 6' SJT 18/3; 5-15 twist lock (120V) 04: 10' SJT 18/3; 5-15 twist lock (120V) 05: 6' SJT 18/3; 5-15 non twist lock (120V) 06: 10' SJT 18/3; 5-15 non twist lock (120V) 07: 6' SJT 18/3; 7-15 twist lock (277V) 08: 10' SJT 18/3; 7-15 twist lock (277V) 09: 6' SJT 18/3; 7-15 non twist lock (277V) 10: 10' SJT 18/3 7-15 non twist lock (277V) 11: 16/3 no plug; specify length 12: 16/4 no plug; specify length	TBA	I: Single

Certifications



Note: VHA1 model comes standard with two versatile V-hook mounting brackets.

OR
Optional: Wire Hanging Kit

*Specifications subject to change w/out notice.

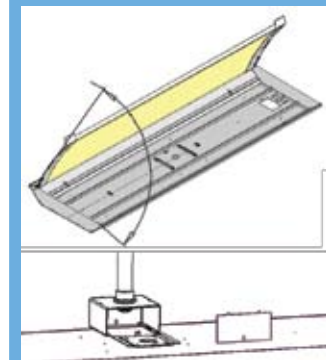
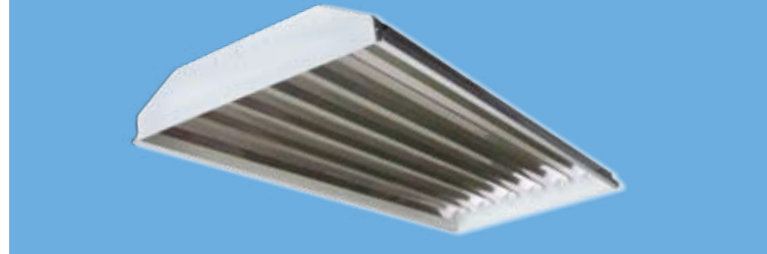
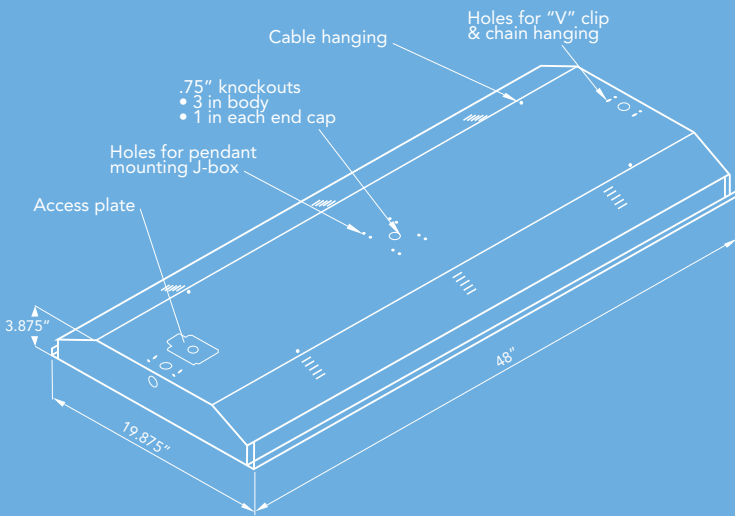


Experience the Howard Advantage

HOWARD
LIGHTING PRODUCTS

www.Howard.com 800.956.3456

6 HFA1 Series



-Reflector Assembly pivoted open after removal of 2 screws.

-Pendant mount option assembly

Model Family	Reflector/ Lens	No. of Lamps	Lamp Type/ Wattage ⁽¹⁾	Ballast	Input Volts	Factory Installed Options
HFA1	E	6	32A	HI	MV	ACJ
HFA1	E: MIRO-4 aluminum W: 86% reflective white	6	32A: F32T8 54A: F54T5	HI: High BF electronic instant start (T8 only) LI: Low BF electronic instant start (T8 only) SI: Standard or electronic instant start (T8 only) PS: Programmed start electronic	02: 120V 08: 277V 09: 347V MV: 120-277V Universal HV: 347-480V (T5HO only)	000: No factory installed options A: Occupancy sensor B: Emergency ballast (specify lumen requirement) C: Factory installed door with lens ⁽²⁾ and safety cable D: Factory installed door with lens ⁽²⁾ J: Factory installed J-Box mounting plate with power wires routed to center KO ⁽³⁾

Sample Ordering Number: HFA1 E 632A HI MV ACJ 01 01
 HFA1 Series Hi-Bay Fluorescent
 MIRO-4 Reflector
 (6) F32T8 Lamp High Ballast Factor Ballast
 w/ Universal Input (120-to-277v)
 Factory installed Occupancy Sensors (A), door with lens and safety cable (C)
 and J-Box mounting plate (J) 6 foot 18/3 SJT cord
 Individual Box Packaging
 *Specifications subject to change w/out notice.

continued on next page

⁽¹⁾ Lamp installation available. Call for details
⁽²⁾ Standard acrylic prismatic, Pattern 12, 0.100" thick. Call for options.
⁽³⁾ Makes for easier field installation of HF PMK1, requires purchase of HF PMK1.



Features

- Easy access to wiring compartment & ballast
- Access plate provides access to electrical wiring without the need to open the fixture
- Knock-outs for easy electrical wiring and assembly
- Multiple power cord set options (voltage, length, gage)
- Pendant mount kit with top J-box for simplified HID retrofit installations to be used with a hook or rigid conduit and fasteners
- Choice of 95% specular-enhanced aluminum reflector or 86% diffuse white reflector
- Heavy-duty, pre-painted steel construction
- Simple one-person installation
- Suspended or pendant mounting for easy installation
- Wire guards available
- Custom configurations available
- Door and lens kit options available
- Factory-installed Occupancy Sensor option
- Factory-installed Emergency Ballast option
- Chain, V-clip, and wire cable hanging options

Description

The HFA1 series high bay fluorescent fixture is an energy-saving alternative to traditional HID high bay fixtures. This fixture operates six lamps and, as a standard feature, comes equipped with Howard ballasts.

Benefits Include

- Substantial reduction of energy cost as compared to HID lighting systems
- Exceptional color rendering
- High system efficacy
- Long lamp life
- Instant On and Instant Re-strike capabilities
- Howard Industries warranty on complete Howard Ballast and Howard Lamp systems
- Quality lamp holders
- Computer-designed reflectors
- Complies with safety and performance standards
- Made in USA

Cordset Options	TBA	Packaging
01	0	I
00: No cord 01: 6' SJT 18/3; no plug 02: 10' SJT 18/3; no plug 03: 6' SJT 18/3; 5-15 twist lock (120V) 04: 10' SJT 18/3; 5-15 twist lock (120V) 05: 6' SJT 18/3; 5-15 non twist lock (120V) 06: 10' SJT 18/3; 5-15 non twist lock (120V) 07: 6' SJT 18/3; 7-15 twist lock (277V) 08: 10' SJT 18/3; 7-15 twist lock (277V) 09: 6' SJT 18/3; 7-15 non twist lock (277V) 10: 10' SJT 18/3 7-15 non twist lock (277V) 11: 16/3 no plug; specify length 12: 16/4 no plug; specify length 13: 3' Flexible conduit 14: 6' Flexible conduit 15: 10' Flexible conduit	TBA	I: Single B: Bulk ⁽¹⁾ X: Special

Field Installed Options
WCH
FA1 WG: Wire guard WCH: Wire cable hanging kit (2 pcs. per kit) HF PMK1: Cover, box, anchor plate, screws and lock nuts ⁽²⁾ HF SK1: Hub, collar, and wire cable ⁽³⁾ HF 2CV: 2' hanging chain and v-clips HF 3CV: 3' hanging chain and v-clips

⁽¹⁾ Quantity multiples of 20 please.

⁽²⁾ When pendant mounting is specified, supply wires will exit the center of the fixture, not the access plate. PMK makes for easy HID retrofit.

⁽³⁾ It is recommended, but not required, that HF SK1 be installed with HF PMK1.

*Specifications subject to change w/out notice.

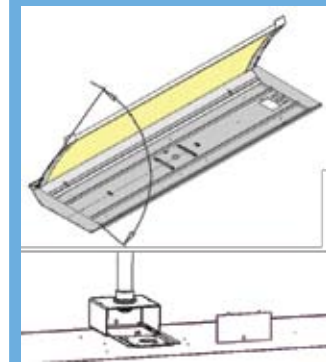
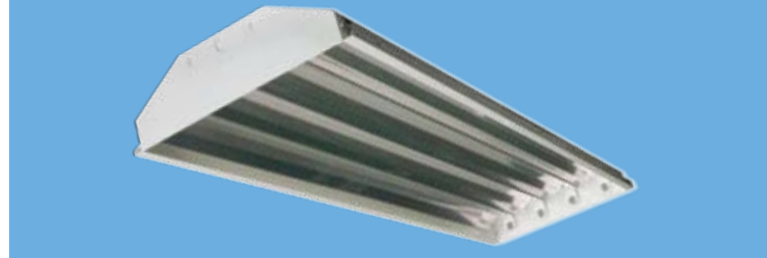
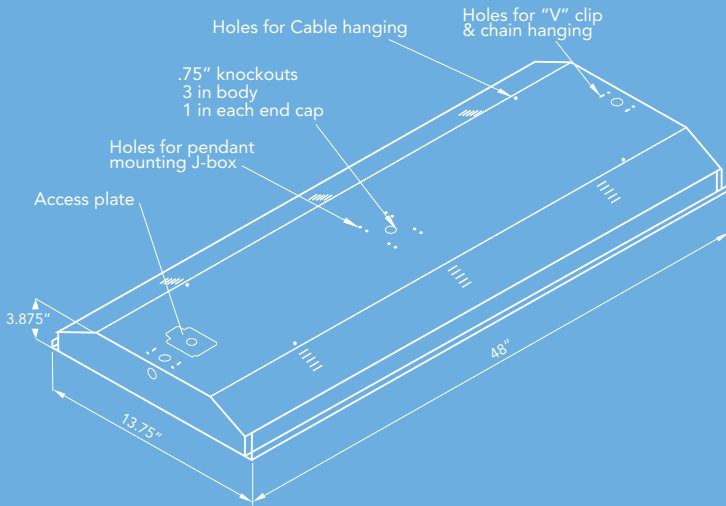


Experience the Howard Advantage

HOWARD
LIGHTING PRODUCTS

www.Howard.com 800.956.3456

8 HFA2 Series



-Reflector Assembly pivoted open after removal of 2 screws.

-Pendant mount option assembly

Model Family	Reflector/ Lens	No. of Lamps	Lamp Type/ Wattage ⁽¹⁾	Ballast	Input Volts	Factory Installed Options
HFA2	E	4	54A	PS	MV	ACJ
HFA2	E: MIRO-4 aluminum W: 86% reflective white	4	32A: F32T8 54A: F54T5	HI: High BF electronic instant start (T8 only) LI: Low BF electronic instant start (T8 only) SI: Standard or electronic instant start (T8 only) PS: Programmed start electronic	02: 120V 08: 277V 09: 347V MV: 120-277V Universal HV: 347-480V (T5HO only)	000: No factory installed options A: Occupancy sensor B: Emergency ballast (specify lumen requirement) C: Factory installed door with lens ⁽²⁾ and safety cable D: Factory installed door with lens ⁽²⁾ J: Factory installed J-Box mounting plate with power wires routed to center KO ⁽³⁾

Sample Ordering Number: HFA2 E 454A PS MV ACJ 01 01
 HFA2 Series Hi-Bay Fluorescent
 MIRO-4 Reflector
 (4) F54T5 Lamp Program Start Ballast
 w/ Universal Input (120-to-277v)
 Factory installed Occupancy Sensors (A), door with lens and safety cable (C)
 and J-Box mounting plate (J) 6 foot 18/3 SJT cord
 Individual Box Packaging
 *Specifications subject to change w/out notice.

continued on next page

⁽¹⁾ Lamp installation available. Call for details
⁽²⁾ Standard acrylic prismatic, Pattern 12, 0.100" thick. Call for options.
⁽³⁾ Makes for easier field installation of HF PMK1, requires purchase of HF PMK1.



Features

- Easy access to wiring compartment & ballast
- Access plate provides access to electrical wiring without the need to open the fixture
- Knock-outs for easy electrical wiring and assembly
- Multiple power cord set options (voltage, length, gage)
- Pendant mount kit with top J-box for simplified HID retrofit installations to be used with a hook or rigid conduit and fasteners
- Choice of 95% specular-enhanced aluminum reflector or 86% diffuse white reflector
- Heavy-duty, pre-painted steel construction
- Simple one-person installation
- Suspended or Pendant mounting insures a quick painless install
- Wire guards available
- Custom configurations available
- Door and lens kit options available
- Factory-installed Occupancy Sensor option
- Factory-installed Emergency Ballast option
- Chain, V-clip, and wire cable hanging options

Description

The HFA2 series high bay fluorescent fixture is an energy- saving alternative to traditional HID high bay fixtures. This fixture operates four lamps and, as a standard feature, comes equipped with Howard ballasts.

Benefits Include

- Energy saving compared to HID lighting systems lighting systems
- Exceptional color rendering
- High system efficacy
- Long lamp life
- Instant On and Instant Re-strike capabilities
- Howard Industries warranty on complete Howard Ballast and Howard Lamp systems
- Quality lamp holders
- Computer-designed reflectors
- Complies with safety and performance standards
- Made in USA

Cordset Options	TBA	Packaging
01	0	I
00: No cord 01: 6' SJT 18/3; no plug 02: 10' SJT 18/3; no plug 03: 6' SJT 18/3; 5-15 twist lock (120V) 04: 10' SJT 18/3; 5-15 twist lock (120V) 05: 6' SJT 18/3; 5-15 non twist lock (120V) 06: 10' SJT 18/3; 5-15 non twist lock (120V) 07: 6' SJT 18/3; 7-15 twist lock (277V) 08: 10' SJT 18/3; 7-15 twist lock (277V) 09: 6' SJT 18/3; 7-15 non twist lock (277V) 10: 10' SJT 18/3 7-15 non twist lock (277V) 11: 16/3 no plug; specify length 12: 16/4 no plug; specify length 13: 3' Flexible conduit 14: 6' Flexible conduit 15: 10' Flexible conduit	TBA	I: Single B: Bulk ⁽¹⁾ X: Special

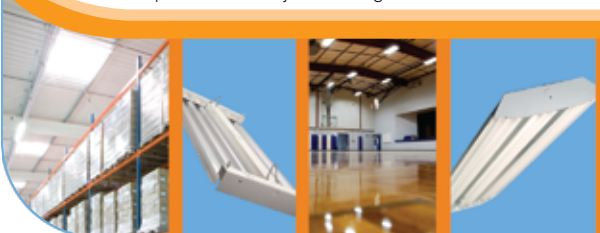
Field Installed Options
WCH
HFA2 WG: Wire guard WCH: Wire cable hanging kit (2 pcs. per kit) HF PMK1: Cover, box, anchor plate, screws and lock nuts ⁽²⁾ HF SK1: Hub, collar, and wire cable ⁽³⁾ HF 2CV: 2' hanging chain and v-clips HF 3CV: 3' hanging chain and v-clips

⁽¹⁾ Quantity multiples of 20 please.

⁽²⁾ When pendant mounting is specified, supply wires will exit the center of the fixture, not the access plate. PMK makes for easy HID retrofit.

⁽³⁾ It is recommended, but not required, that HF SK1 be installed with HF PMK1.

*Specifications subject to change w/out notice.

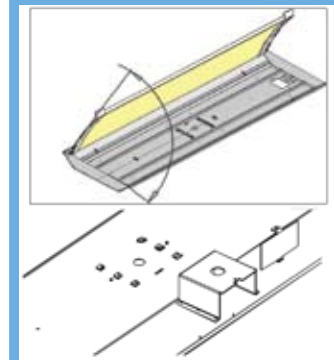
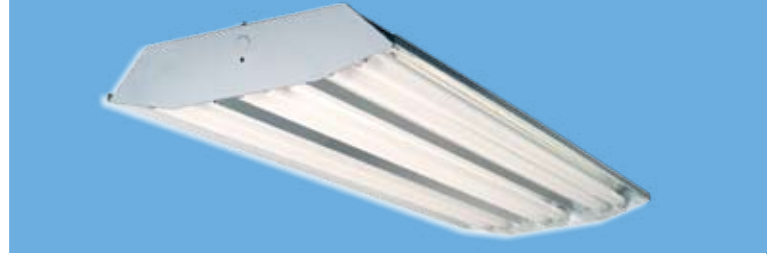
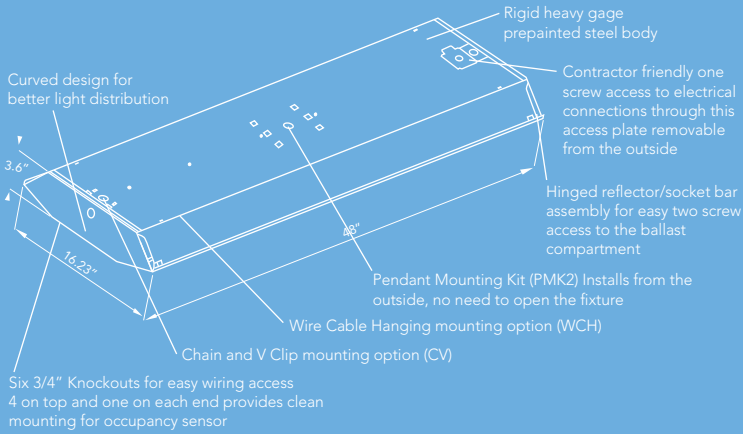


Experience the Howard Advantage

HOWARDTM
LIGHTING PRODUCTS

www.Howard.com 800.956.3456

10 HFA3 Series



-Reflector Assembly pivoted open after removal of 2 screws.

-Pendant mount option assembly

MOST LIGHT
Only 230 Watts!

two EPH3/32IS/MV/SC Ballast and six Howard F32T8/841/HL/ECO Lamps (21204 initial lumens)

LOWEST ENERGY
Only 124 Watts!

two EPL3/32IS/MV/SC Ballasts and six Howard F28T8 Lamps (12260 initial lumens)

Model Family	Reflector/ Lens	No. of Lamps	Lamp Type/ Wattage ⁽¹⁾	Ballast	Input Volts	Factory Installed Options
HFA3	E	6	32A	HI	MV	0AB
HFA3	E: MIRO-4 aluminum W: 86% reflective white	6	32A: F32T8 54A: F54T5	HI: High BF electronic instant start (T8 only) LI: Low BF electronic instant start (T8 only) SI: Standard or electronic instant start (T8 only) PS: Programmed start electronic	02: 120V 08: 277V 09: 347V MV: 120-277V Universal HV: 347-480V (T5HO only)	000: No factory installed options A: Occupancy sensor B: Emergency ballast (specify lumen requirement) J: Factory installed J-Box mounting plate with power wires routed to center KO ⁽²⁾

Sample Ordering Number: HFA3 E 632A SI MV 0AB 01 0 B

HFA3 Series Hi-Bay Fluorescent
MIRO-4 Reflector
(2) Universal Input 3 lamp Standard Ballast Factor
Factory Instant start ballasts
Factory installed Occupancy Sensors (A), Emergency Ballast (B) 6 foot
18/3 SJT cord with no plug in a Bulk/Job 20 Pack

continued on next page

⁽¹⁾ Lamp installation available. Call for details
⁽²⁾ Makes for easier field installation of HF PMK2, requires purchase of HF PMK2.

*Specifications subject to change w/out notice.



Features

- Easy access to wiring compartment & ballast
- Access plate provides access to electrical wiring without the need to open the fixture
- Knock-outs for easy electrical wiring and assembly
- Multiple power cord set options (voltage, length, gage)
- Pendant mount kit with top J-box for simplified HID retrofit installations to be used with a hook or rigid conduit and fasteners
- Choice of 95% specular-enhanced aluminum reflector or 86% diffuse white reflector
- Heavy-duty, pre-painted steel construction
- Simple one-person installation
- Suspended or Pendant mounting insures a quick painless install
- Wire guards available
- Custom configurations available
- Lens kit options available
- Factory-installed Occupancy Sensor option
- Factory- installed Emergency Ballast option
- Chain, V-clip, and wire cable hanging options

Description

The HFA3 series high bay fluorescent fixture is an energy- saving alternative to traditional HID high bay fixtures. This fixture operates six lamps and, as a standard feature, comes equipped with Howard ballasts.

Benefits Include

- Energy saving compared to HID lighting systems
- Exceptional color rendering
- High system efficacy
- Long lamp life
- Instant On and Instant Re-strike capabilities
- Howard Industries warranty on complete Howard ballast and Howard lamp systems
- Quality lamp holders
- Computer-designed reflectors
- Complies with safety and performance standards
- Made in USA

Cordset Options	TBA	Packaging
01	0	I
00: No cord 01: 6' SJT 18/3; no plug 02: 10' SJT 18/3; no plug 03: 6' SJT 18/3; 5-15 twist lock (120V) 04: 10' SJT 18/3; 5-15 twist lock (120V) 05: 6' SJT 18/3; 5-15 non twist lock (120V) 06: 10' SJT 18/3; 5-15 non twist lock (120V) 07: 6' SJT 18/3; 7-15 twist lock (277V) 08: 10' SJT 18/3; 7-15 twist lock (277V) 09: 6' SJT 18/3; 7-15 non twist lock (277V) 10: 10' SJT 18/3; 7-15 non twist lock (277V) 11: 16/3 no plug; specify length 12: 16/4 no plug; specify length 13: 3' Flexible conduit 14: 6' Flexible conduit 15: 10' Flexible conduit	TBA	I: Single B: Bulk ⁽¹⁾ X: Special

Field Installed Options
WCH
HFA3 WG: Wire guard HFA3 WL: Wrap lens WCH: Wire cable hanging kit (2pcs per kit) HF PMK2: Cover, box, anchor plate, screws and lock nuts ⁽²⁾ HF SK1: Hub, collar, and wire cable ⁽³⁾ HF 2CV: 2' hanging chain and v-clips HF 3CV: 3' hanging chain and v-clips

⁽¹⁾ Quantity multiples of 20 please.

⁽²⁾ When pendant mounting is specified, supply wires will exit the center of the fixture, not the access plate. PMK makes for easy HID retrofit.

⁽³⁾ It is recommended, but not required, that HF SK1 be installed with HF PMK2.

*Specifications subject to change w/out notice.



Experience the Howard Advantage

HOWARDTM
LIGHTING PRODUCTS

www.Howard.com 800.956.3456

12 HFA4 Series

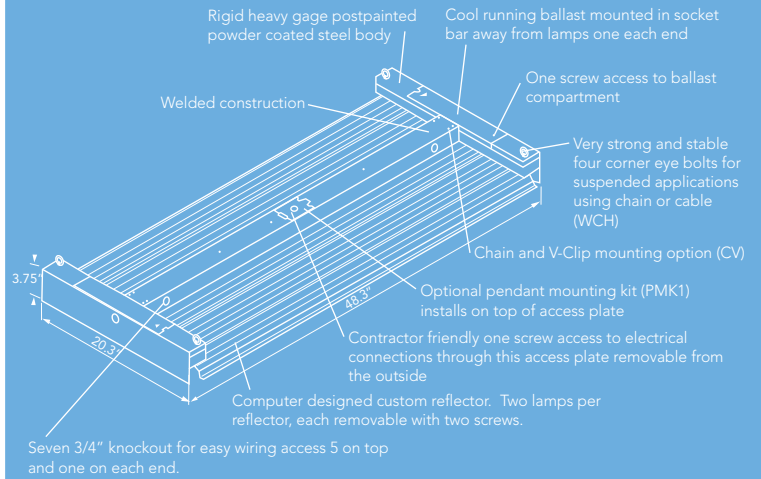


MOST LIGHT
Only 230 Watts!

two EPH3/32IS/MV/SC Ballasts and
six Howard F32T8/841/HL/ECO Lamps
(21204 initial lumens)

LOWEST ENERGY
Only 138 Watts!

two EP3/32IS/MV/SC/HE Ballasts
and six Howard F28T8 Lamps
(14355 initial lumens)



Model Family	Reflector/ Lens	No. of Lamps	Lamp Type/ Wattage ⁽¹⁾	Ballast	Input Volts	Factory Installed Options
HFA4	E	6	32A	HI	MV	00J
HFA4	E: MIRO-4 aluminum W: 86% reflective white	6	32A: F32T8	HI: High BF electronic instant start (T8 only) SI: Standard or electronic instant start (T8 only)	MV: 120-277V Universal	000: No factory installed options J: Factory installed J-Box mounting plate with power wires routed to center KO ⁽²⁾

Sample Ordering Number: HFA4 E 6 32A HI MV 00J 01 0 B

HFA4 Series Hi-Bay Fluorescent

MIRO-4 Reflector

(2) Universal Input 3 lamp High Ballast factor

Instant start ballasts

Factory installed J-box mounting plate (J)

6 foot 18/3 SJT cord with no plug in a Bulk/Job 20 Pack

continued on next page

⁽¹⁾ Lamp installation available. Call for details

⁽²⁾ Makes for easier field installation of HF PMK1, requires purchase of HF PMK1.

*Specifications subject to change w/out notice.

HOWARDTM
LIGHTING PRODUCTS

www.Howard.com 800.956.3456

Experience the Howard Advantage



Features

- Easy access to wiring compartment & ballast compartments
- Access plate provides access to electrical wiring without the need to open the fixture
- Knock-outs for easy electrical wiring and assembly
- Multiple power cord set options, (voltage, length, gage)
- Pendant mount kit provides a top J-box to simplify HID retrofit installations. Can be used with a hook or rigid conduit and fasteners
- Choice of 95% Specular Enhanced Aluminum Reflector or 86% Diffuse White Reflector
- Heavy Duty Powder coated Post painted Steel Construction, no rusty edges!
- Custom configurations available
- Can be easily mounted by a single person
- Suspended or Pendant mounting insures a quick painless install
- Chain and V-Clip Hanging option
- Wire cable hanging option

Description

The HFA4 series high bay fluorescent fixture is a cost-effective, energy-saving alternative to traditional HID high bay fixtures. This fixture operates six lamps, comes equipped with Howard ballasts, utilizes a quality welded and post-painted construction, and is especially designed for projects that require maximum savings with a minimum payback period.

Benefits Include

- Substantial reduction of energy cost as compared to HID lighting systems
- Exceptional color rendering
- High system efficacy
- Long lamp life
- Instant On and Instant Re-strike capabilities
- Howard Industries warranty on complete Howard Ballast and Howard Lamp systems
- Quality lamp holders
- Computer-designed reflectors
- Complies with safety and performance standards
- Assembled in USA

Cordset Options	TBA	Packaging
01	0	I
00: No cord 01: 6' SJT 18/3; no plug 02: 10' SJT 18/3; no plug 03: 6' SJT 18/3; 5-15 twist lock (120V) 04: 10' SJT 18/3; 5-15 twist lock (120V) 05: 6' SJT 18/3; 5-15 non twist lock (120V) 06: 10' SJT 18/3; 5-15 non twist lock (120V) 07: 6' SJT 18/3; 7-15 twist lock (277V) 08: 10' SJT 18/3; 7-15 twist lock (277V) 09: 6' SJT 18/3; 7-15 non twist lock (277V) 10: 10' SJT 18/3 7-15 non twist lock (277V) 11: 16/3 no plug; specify length 12: 16/4 no plug; specify length 13: 3' Flexible conduit 14: 6' Flexible conduit 15: 10' Flexible conduit	TBA	I: Single B: Bulk ⁽¹⁾ X: Special

Field Installed Options
HFPKM1
HF PMK1: Cover, box, anchor plate, screws and lock nuts ⁽²⁾ HF SK1: Hub, collar, and wire cable ⁽³⁾ HF 2CV: 2' hanging chain and v-clips HF 3CV: 3' hanging chain and v-clips

⁽¹⁾ Quantity multiples of 20 please.

⁽²⁾ When pendant mounting is specified, supply wires will exit the center of the fixture, not the access plate. PMK makes for easy HID retrofit.

⁽³⁾ It is recommended, but not required, that HF SK1 be installed with HF PMK1.

*Specifications subject to change w/out notice.

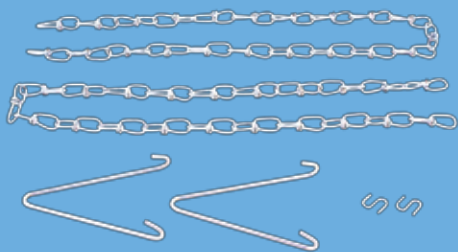


Experience the Howard Advantage

HOWARDTM
LIGHTING PRODUCTS

www.Howard.com 800.956.3456

14 Accessories



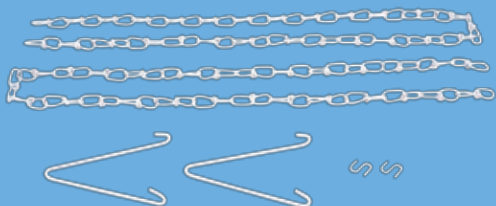
HF 2CV Hanging Kit

Application

Installation kit for use with high bay fluorescent luminaires.

Features

- (2) two foot long #2 trade size chains
- (2) V clips
- (2) 5/64" S hooks



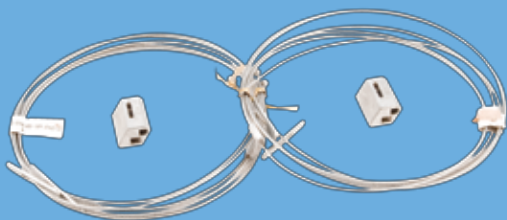
HF 3CV Hanging Kit

Application

Installation kit for use with high bay fluorescent luminaires.

Features

- (2) three foot long #2 trade size chains
- (2) V clips
- (2) 5/64" S hooks



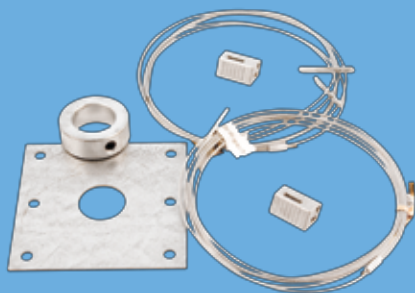
HF WCH Hanging Kit

Application

Installation kit for use with high bay fluorescent luminaires.

Features

- (2) 60" wire cables with paddles
- (2) Wire clamps



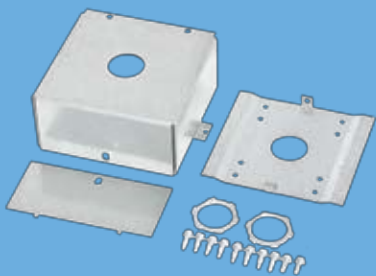
HF SK1 Hanging Kit

Application

Installation kit for use with high bay fluorescent luminaires.

Features

- (1) Stabilizer hub plate
- (1) Stabilizer collar
- (1) Cable hanging kit with two guide wires and wire clamps



HF PMK1 Hanging Kit (HFA1, HFA2, & HFA4 series)

Application

Installation kit for use with high bay fluorescent luminaires.

Features

- (1) J-box and J-plate
- (1) 3/4" conduit hub
- (1) J-box cover
- (1) Anchor plate
- (10) Assembly screws



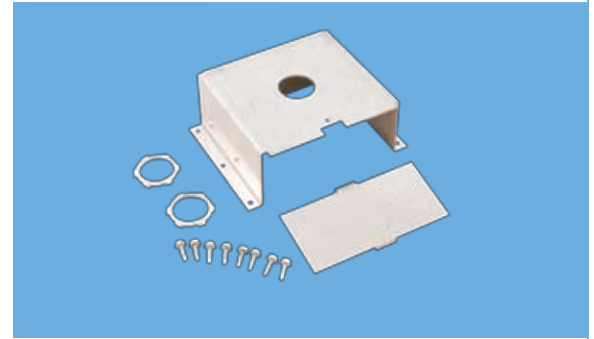
HF PMK2 Hanging Kit (HFA3)

Application

Installation kit for use with high bay fluorescent luminaires.

Features

- (1) J-box and J-plate
- (1) 3/4" conduit hub
- (1) J-box cover
- (8) Assembly screws



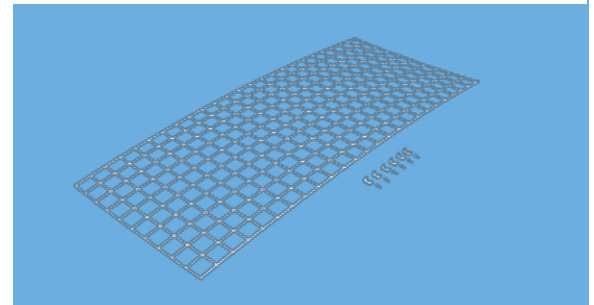
HFA1 Wire Guard

Application

Wire Guard for use with HFA1 series of high bay fluorescent luminaires.

Features

- (1) 20" x 48" white wire guard (1/8" diameter)
- (6) Wire guard clips
- Assembly screws



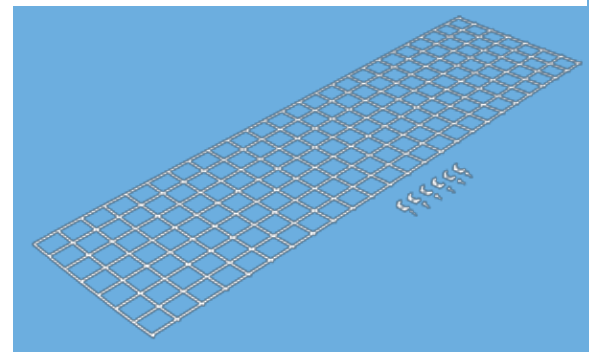
HFA2 Wire Guard

Application

Wire Guard for use with HFA2 series of high bay fluorescent luminaires.

Features

- (1) 14" x 48" white wire guard (1/8" diameter)
- (6) Wire guard clips
- Assembly screws



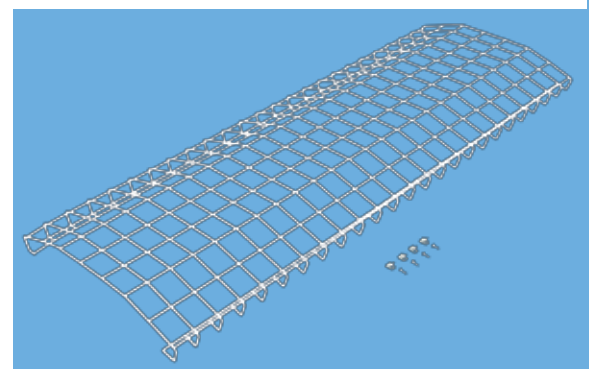
HFA3 Wire Guard

Application

Wire Guard for use with HFA3 series of high bay fluorescent luminaires.

Features

- (1) 16.23" x 48" white wire guard (1/8" diameter)
- (4) Wire guard clips
- Assembly screws



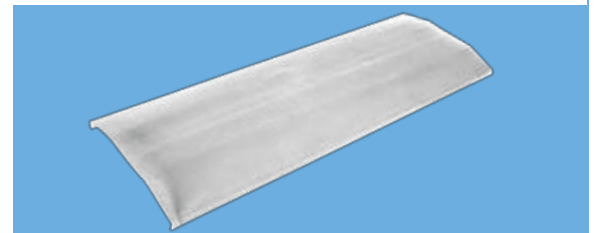
HFA3 Lens

Application

Lens for use with HFA3 series of high bay fluorescent luminaires.

Features

- (1) 0.125" impact resistant acrylic, prismatic, 'snap on' wrap lens; 48" x 16.5"



Experience the Howard Advantage

HOWARD[™]
LIGHTING PRODUCTS

www.Howard.com 800.956.3456

HOWARD™

LIGHTING PRODUCTS

 A Division of Howard Industries, Inc.

Surround yourself with Howard Lighting. We did.

Nestled within the 504 acre Howard Technology Park, our new corporate headquarters are surrounded and filled with our superior lighting products. From the round back floods and compact fluorescents throughout the approximately 62,000 square feet of office space to the high bays illuminating the roughly 77,000 square foot Howard Technology Solutions and Howard Medical manufacturing facilities, we are your total lighting resource.



Revised - 10/6/08

580 Eastview Drive Laurel, MS 39443 • P.O. Box 1590 Laurel, MS 39441

800.956.3456 general • 601.422.0033 • 601.422.1652 fax

www.HowardLightingProducts.com